

## ASSEMBLY INSTRUCTIONS

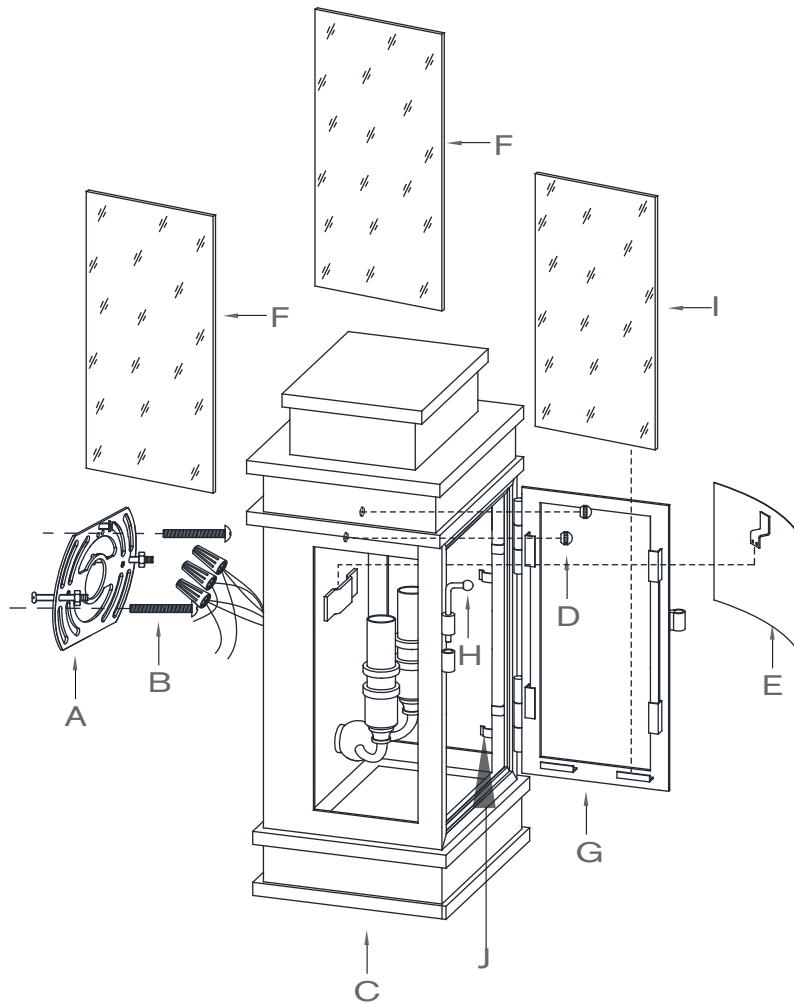
### Linear Mini Wall Lantern Item # CHD 2907

**WE RECOMMEND INSTALLATION OF THIS LIGHTING FIXTURE BE DONE BY A LICENSED ELECTRICIAN.**

**WARNING \*\*\* SWITCH OFF THE MAIN ELECTRICAL SUPPLY FROM THE MAIN FUSE BOX/CIRCUIT BREAKER BEFORE INSTALLATION.**

**INSPECT ITEM CAREFULLY BEFORE ATTEMPTING TO INSTALL. IF THERE IS ANY DAMAGE OR OBVIOUS DEFECT, DO NOT INSTALL.**

**ITEM MAY NOT BE RETURNED ONCE IT HAS BEEN INSTALLED.**



1. Carefully remove all parts from the carton.
2. Remove mounting plate (A) from lantern box (C) by removing cap nuts (D) in counter-clockwise direction.
3. Open the door (G) by removing lock pin (H).
4. To install glass panels (F) to the both side frame of lantern box, make sure the meta tabs (J) are fipped against the opening of lantern box. Place glass panels (F) to each side frame and secure by bending back metal tabs (J) downwards.
5. Affix mounting plate (A) to wall outlet box and secure with mounting screws (B).
6. Gently pull the wires from the wall outle and allow the wires to hang. Thread the wires through the center hole in mounting plate (A).
7. Attach ground (green) wire from wall outlet box (usually green or copper in color ), fasten together with a plastic wire connector. Tightly wrap the wire with electrical tape, so the end of the connector is sealed. IT IS IMPERATIVE THAT THE OUTLET BOX IN YOUR HOME BE PROPERLY GROUNDED.
8. Connect neutral (white ) fixture wire coming from fixture base to neutral (usually white ) outlet wire. Fasten both wires together with a plastic wire connector and tightly wrap the wire connector with electrical tape.
9. Repeat the procedure with the hot (black) wires. Always make sure that no wire strands are left outside the connectors. DO NOT REVERSE THE HOT AND NEUTRAL CONNECTIONS OTHERWISE SAFETY WILL BE COMPROMISED.
10. Attach lantern box (C) to mounting plate (A), let the rods on mounting plate (A) pass through the holes of lantern box (C) and secure with cap nuts (D).
11. Hook the reflector (E) to the inside of lantern box (C).
12. Insert light bulbs into sockets.
13. Slide glass panel (I) to the door (G)
14. Close the door (G) by inserting lock pin (H).
15. INSTRUCTIONS FOR MOUNTING FIXTURE OUTDOORS AND/OR IN WET LOCATION:
  - a. Mounting surface should be clean, dry, flat and 1/4" larger than canopy/fixture base on all sides. Any gaps between the mounting surface and fixture base exceeding 3/16" should be corrected as required.
  - b. With silicone (ex. GE-108) caulking compound, caulk completely around where back of canopy/fixture base meets the wall surface to prevent water from seeping into outlet box. TO AVOID WATER ENTERING THE FIXTURE BASE FROM THE SIDE OF FIXTURE, THIS FIXTURE MUST BE MOUNTED ABOVE 1.2M (4 FT) FROM GROUND.

\*\*\* Clean with a dry, soft cloth only. Use no harsh abrasives or chemical agents.