

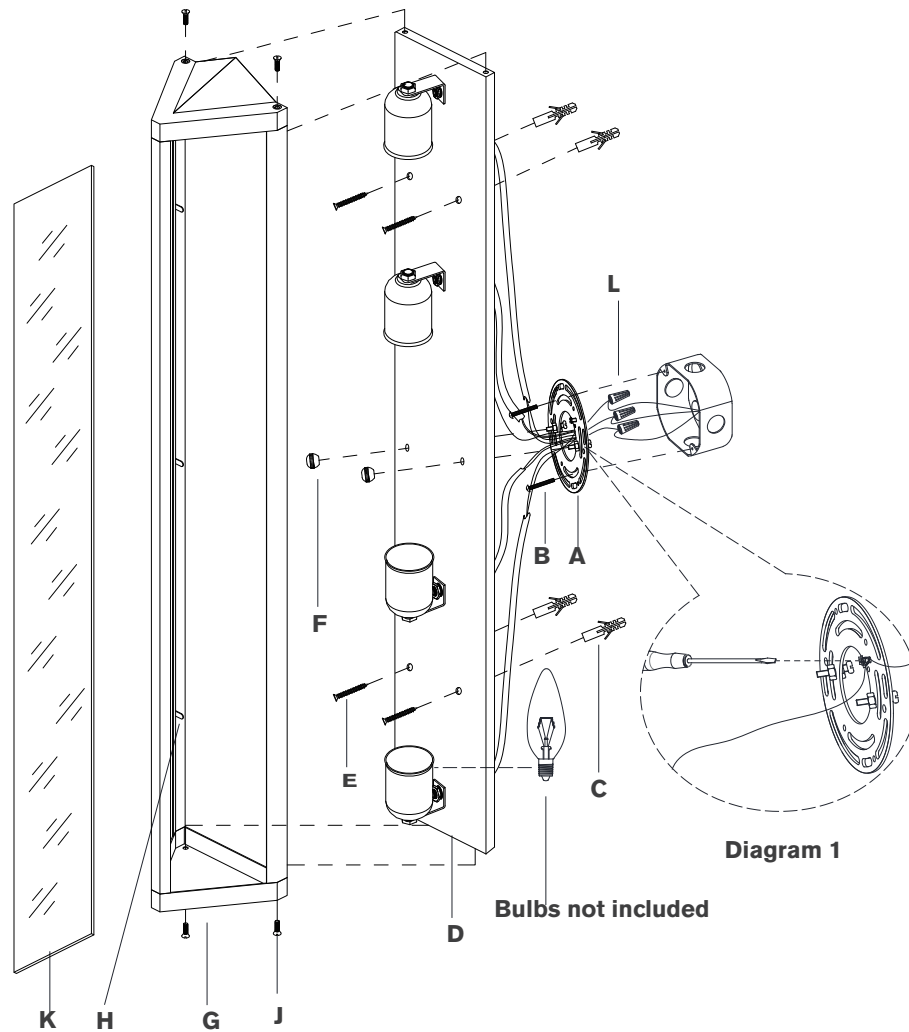
ASSEMBLY INSTRUCTIONS

Geneva Large Sconce

Item # RL 2027

NOTICE:

This light fixture should be installed in accordance with all applicable, local installation codes, and by a person familiar with the construction and operation of it, as well as the hazards involved. Inspect item and contents carefully. If any damage or defect is found, do not install. Retain all packaging material until installation is complete and approved.



10. Make sure all wire connections are tight, then carefully tuck into the junction box.
11. Install fixture (D) to mounting plate (A) and secure with threaded caps (F), then secure wood screws (E) to anchors (C).
12. Install glass panels (K) to frame (G) and secure by bending metal tabs (H).
13. Install light bulbs into the sockets.
14. Install fixture frame (G) to fixture (D) and secure with screws (J).

Care Instructions: Clean only with a soft dry cloth or feather duster. Do not use abrasive or chemical agents.

RALPH LAUREN