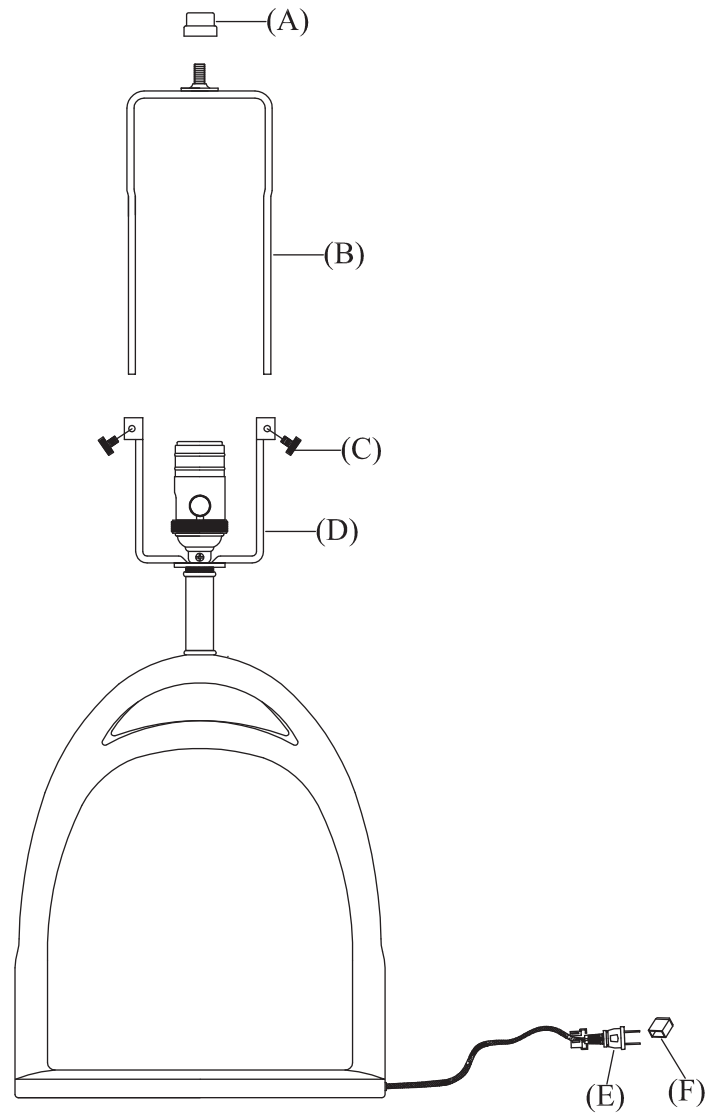


## ASSEMBLY INSTRUCTIONS



## Westbury Table Lamp

Item # RL 3183

### NOTICE:

This light fixture should be installed in accordance with all applicable, local installation codes, and by a person familiar with the construction and operation of it, as well as the hazards involved. Inspect item and contents carefully. If any damage or defect is found, do not install. Retain all packaging material until installation is complete and approved.

1. Loosen knobs (C) from harp (D).
2. Remove harp (B) from plastic bag and saddle into top of harp (D).
3. Adjust harp (B), up or down, to get desired height.
4. The socket should not show under the shade when the harp is adjusted correctly.
5. Carefully tighten knobs (C) on harp (D).
6. Remove finial (A) from harp (B). Place lamp shade (packed separately) over the bolt attached on top of harp (B). Screw finial (A) onto bolt to secure shade to the harp.
7. Insert light bulb into socket.
8. Remove protective plastic (F) from electrical plug (E).
9. Plug lamp into wall outlet.

**Care Instructions:** Clean only with a soft dry cloth or feather duster. Do not use abrasive or chemical agents.

# RALPH LAUREN

