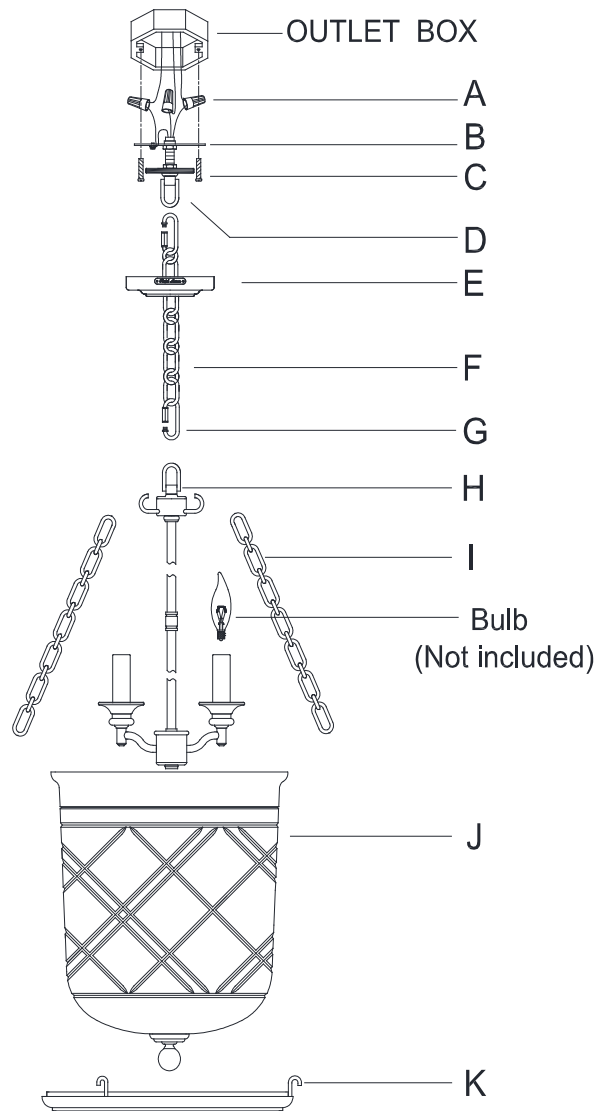


## ASSEMBLY INSTRUCTIONS



## Cambridge Medium Smoke Bell Pendant

Item # RL 5101

### NOTICE:

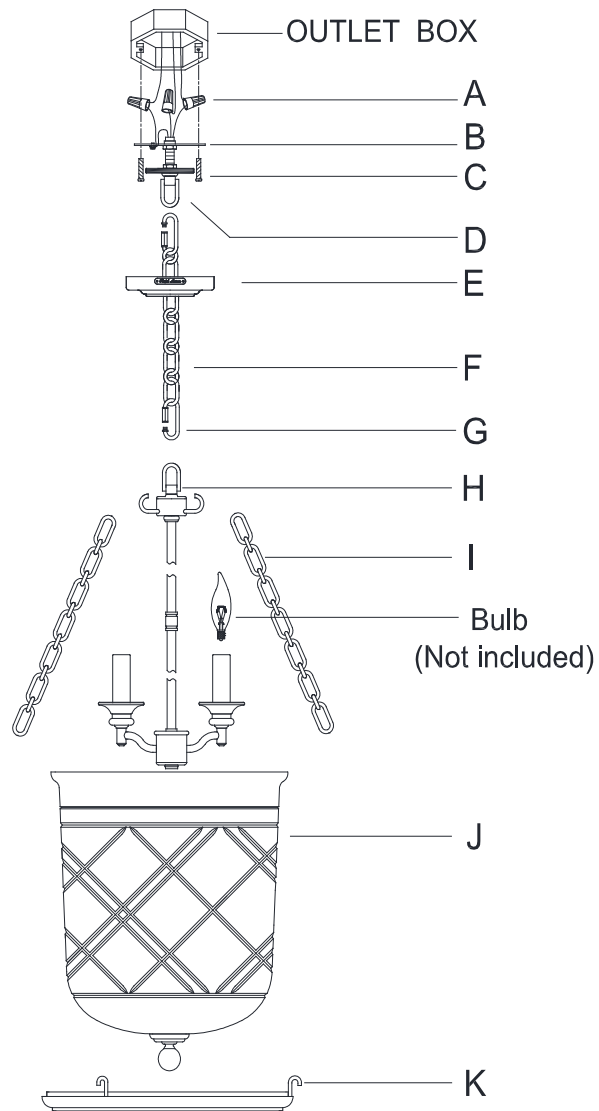
This light fixture should be installed in accordance with all applicable, local installation codes, and by a person familiar with the construction and operation of it, as well as the hazards involved. Inspect item and contents carefully. If any damage or defect is found, do not install. Retain all packaging material until installation is complete and approved.

1. Carefully remove all parts from the box.
2. Install the crossbar (B) with ceiling loop (D) to the outlet box by mounting screws (C) provided.
3. Attach the metal ring (K) to the glass shade (J).
4. Attach the middle chain (I) one end to the top ring (H) and other end to the metal ring (K).
5. Insert bulbs (not included) into the sockets.
6. Unscrew the threaded collar on the chain end link (G) and attach it to the top ring (H). Close the threaded collar to secure the fixture body.
7. Let canopy (E) go through the chain (F).
8. With the fixture dimension as a guide, shorten the chain (F) as needed using a pair of chain pliers.
9. Unscrew the threaded collar on the other chain end link, raise the fixture then attach chain end link to the ceiling loop (D). Close the threaded collar to secure.
10. Unwrap the wiring from the top of the fixture body. Weave the power supply cord and the ground wire through the chain (F).
11. When you reach the canopy and ceiling loop, measure the wires then cut. Be certain to leave enough to connect inside of the outlet box.
12. Strip the insulation back on the two power supply wires about 5/8".
13. Twist the power supply and ground wire together and push through the center hole of the ceiling loop (D).

# RALPH LAUREN



## ASSEMBLY INSTRUCTIONS



## Cambridge Medium Smoke Bell Pendant

Item # RL 5101

### NOTICE:

This light fixture should be installed in accordance with all applicable, local installation codes, and by a person familiar with the construction and operation of it, as well as the hazards involved. Inspect item and contents carefully. If any damage or defect is found, do not install. Retain all packaging material until installation is complete and approved.

14. Connect the fixture ground (bare) wire with the ground wire from the outlet box using wire nut (A). If your house does not have ground wire, then attach this wire to the green grounding screw inside of the outlet box. **IT IS IMPERATIVE THAT THIS FIXTURE BE GROUNDED.**
15. Connect the fixture Neutral wire (ribbed, no markings) with the neutral wire from the outlet box using wire nut (A).
16. Connect the fixture Hot (smooth edge, markings) wire with the hot wire from the outlet box using wire nut (A).  
**DO NOT REVERSE THE HOT AND NEUTRAL CONNECTIONS OR SAFETY WILL BE COMPROMISED.**
17. Tuck these wire connections neatly into the outlet box to secure.
18. Thread the canopy (E) to ceiling loop (D).
19. Installation is complete, turn on power at fuse or circuit breaker.

Care Instructions: Clean only with a soft dry cloth or feather duster. Do not use abrasive or chemical agents.

# RALPH LAUREN

