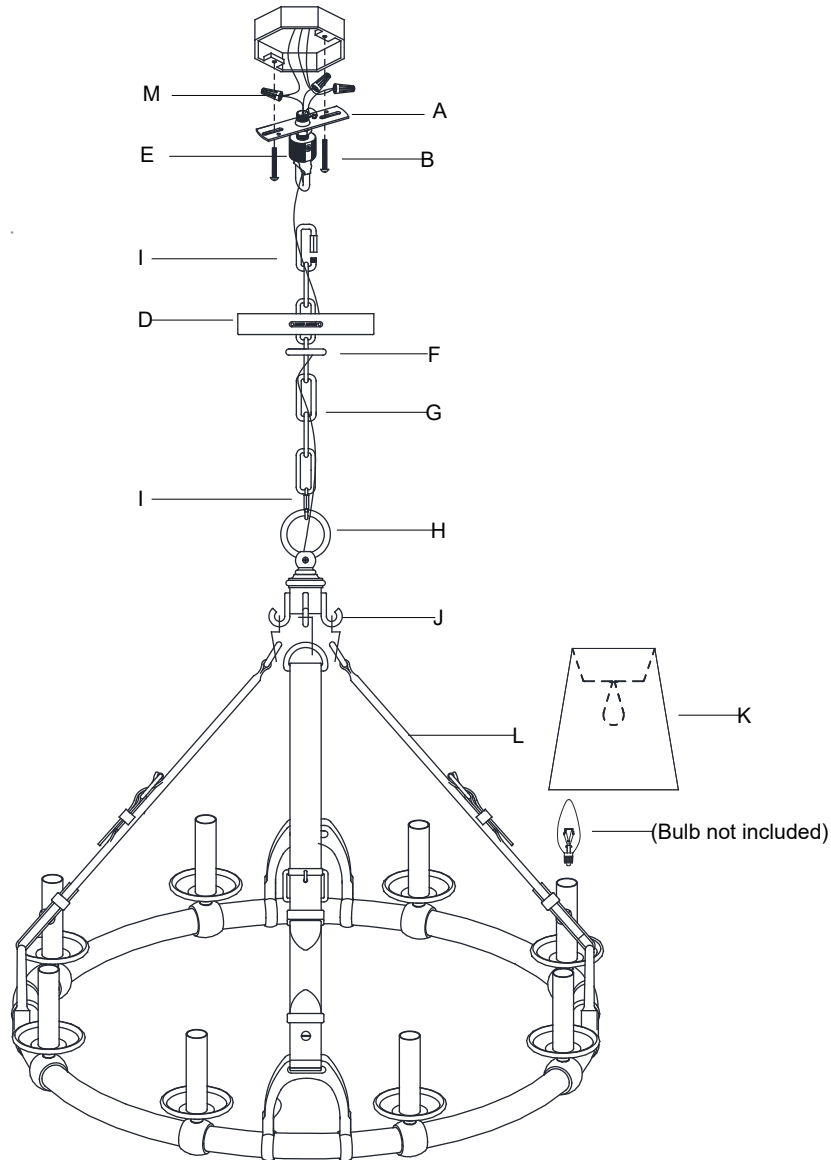


## ASSEMBLY INSTRUCTIONS



## Westbury Chandelier

Item # RL 5181

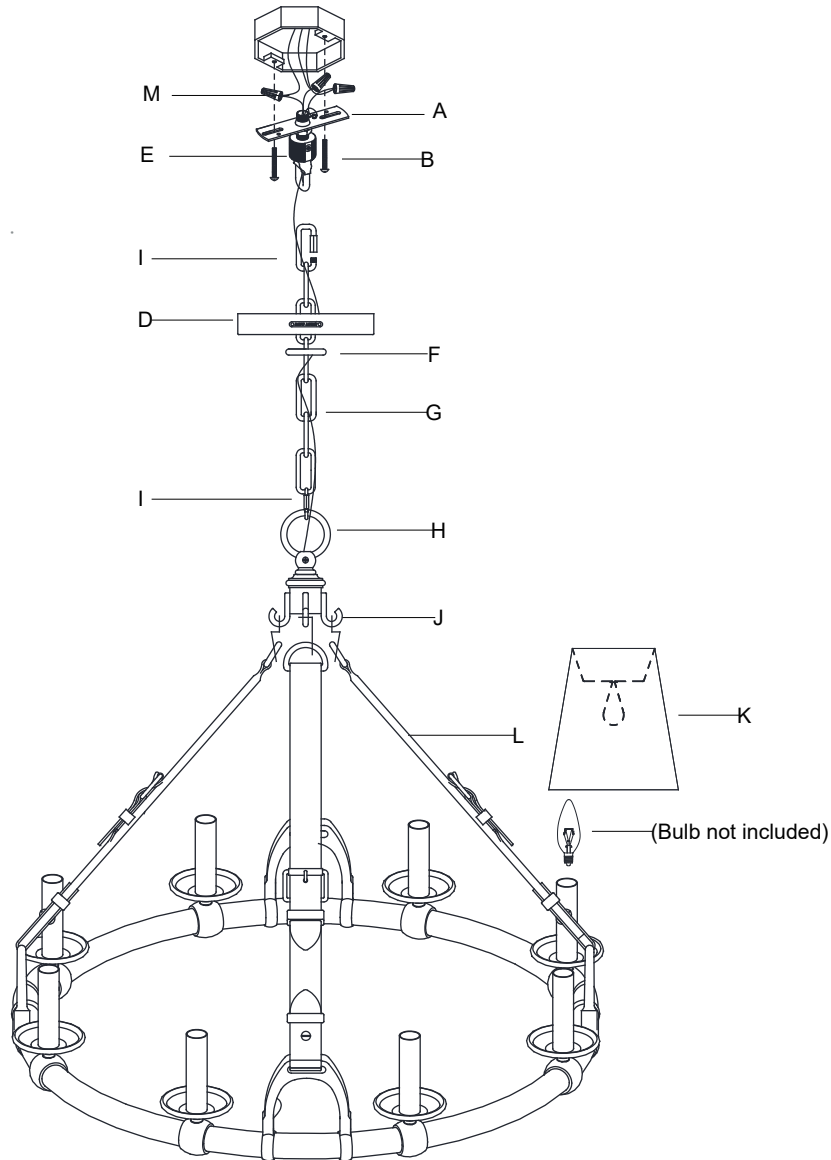
### NOTICE:

This light fixture should be installed in accordance with all applicable, local installation codes, and by a person familiar with the construction and operation of it, as well as the hazards involved. Inspect item and contents carefully. If any damage or defect is found, do not install. Retain all packaging material until installation is complete and approved.

1. Carefully remove all parts from the box. Place on a clean, soft surface.
2. Remove the collar loop (E) from the chain (G) by unscrew the quick link (I).
3. Install the mounting strap (A) and collar loop (E) to the junction box with mounting screws (B) provided. Using a wrench (not provided) secure the mounting strap (A) and collar loop (E) to the threaded nipple using provided hex nuts.
4. Install the canopy (D) to collar loop (E) and secure with collar ring (F). If needed, adjust collar loop (E) height by loosening hex nuts and screwing collar loop (E) up or down then re-secure.
5. With the fixture desired height, shorten the chain (G) as needed using the chain pliers (not included).
6. Open the chain quick link (I), then attach the chain quick link (I) to the collar loop (E). Secure the chain quick link (I).
7. Open chain quick link (I) from the opposite side then attach to the fixture top loop (H). Secure the chain quick link (I).
8. Hang the assembly part (L) to the hooks (J).
9. Weave the fixture wires through the chain (G).
10. When you reach the canopy (D) and the collar loop (E), measure the wires then cut, be certain to leave enough length to connect the wires in the junction box
11. Strip the insulation on the fixture wires about 5/8".
12. Loosen the collar ring (F) and let the canopy (D) slip down the chain (G) carefully.

# RALPH LAUREN

## ASSEMBLY INSTRUCTIONS



## Westbury Chandelier

Item # RL 5181

### NOTICE:

This light fixture should be installed in accordance with all applicable, local installation codes, and by a person familiar with the construction and operation of it, as well as the hazards involved. Inspect item and contents carefully. If any damage or defect is found, do not install. Retain all packaging material until installation is complete and approved.

13. Twist the fixture wires together and push through the center hole of the collar loop (E).
14. Wrap the fixture ground wire to the green ground screw on the mounting strap (A) and secure, then connect to the ground wire in the junction box using the wire nut (M).

IT IS IMPERATIVE THAT THIS FIXTURE BE GROUNDED.

15. Connect the fixture ribbed wire (no markings) to the neutral wire in the junction box using the wire nut (M).
16. Connect the fixture smooth wire (with markings) to the hot wire in the junction box using the wire nut (M).

DO NOT REVERSE THE HOT AND NEUTRAL CONNECTIONS OTHERWISE SAFETY WILL BE COMPROMISED.

17. Carefully tuck the wire connections into the junction box.
18. Install the canopy (D) to the junction box and secure with the collar ring (F).
19. Insert bulbs (not included) into the sockets.
20. Clip the shade (K) onto the bulb.
21. Installation is complete, turn on power at fuse or circuit breaker.

**Care Instructions:** Clean only with a soft dry cloth or feather duster. Do not use abrasive or chemical agents.

# RALPH LAUREN

